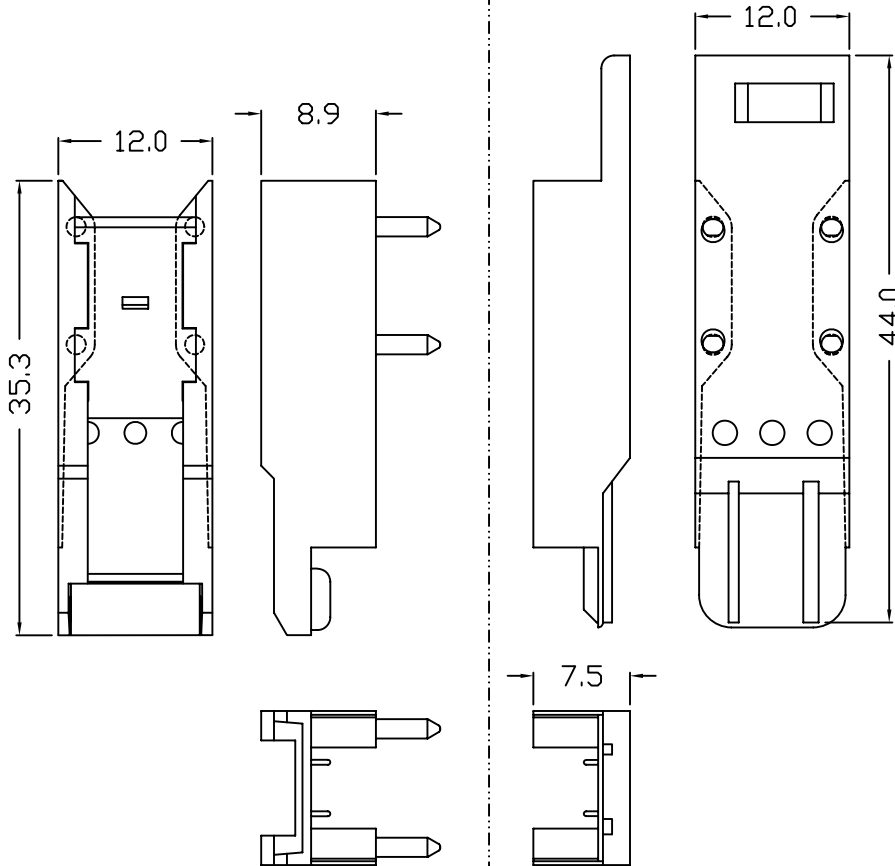


PRODUCT NO.  
72390-0021 SEE NOTE 5

PRODUCT NO.  
72390-0011 SEE NOTE 5



NOTES:

1. SEE APPLICATION SPECIFICATION, GS-20-003, FOR INSTRUCTION ON WIRE INSERTION AND ASSEMBLY OF COMPONENTS FOR CONNECTOR USING THESE COVERS.
2. MATERIAL:  
GLASS FILLED 612 POLYAMIDE.
3. THE PRODUCTS WHERE THE PART NUMBER ENDS IN LF MEET THE EUROPEAN UNION DIRECTIVES AND OTHER COUNTRY REGULATIONS AS DESCRIBED IN GS-22-008.
4. THESE PRODUCTS LISTED ON THIS DRAWING WILL NOT WITHSTAND WAVE SOLDER OR REFLOW OPERATIONS.
5. FOR LEAD FREE PART NUMBERS, ADD AN 'LF' SUFFIX. EXAMPLE 72390-0011LF.

mat'l. code				surface		tolerance		projection		product family	
SEE NOTES				ASME Y14.5		ASME Y14.5				METRAL CABLE	
ltr	ec'n no	dr	date	tolerances unless otherwise specified						title	
A	V71561	JRV	11/6/97	angles	Xx10		MM		5 X 6 COVERS		
B	V12694	LSS	11/16/01	flatness	XXx.05				5 - ROW METRAL		
C	V05-0594	VS	08/08/05	0° ±2'	XXXx.02		scale 1:1		UNSHIELDED CABLE CONNECTOR		
D	V06-0613	JRV	2006-06-22	dr	J.R.VOLSTROF	11/06/97			dwg no		
				engr	J.R.VOLSTROF	11/06/97			sheet 1 of 1		size
				chr	J.R.VOLSTROF	11/06/97			72390		A4
				appd	J.R.VOLSTROF	11/06/97			type		CUSTOMER Drawing
sheet index	revision sheet	D									
	1										